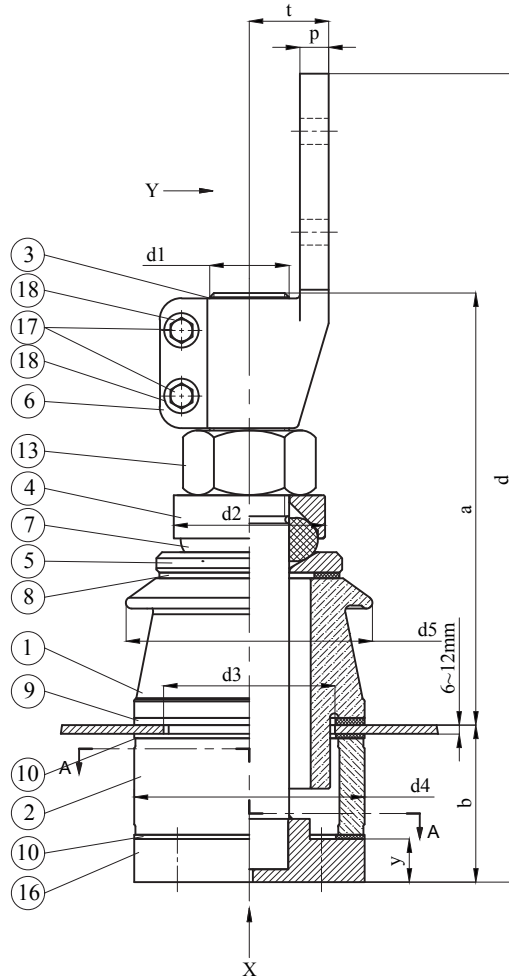


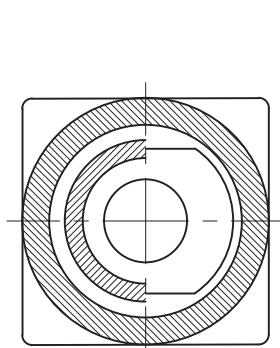
3 kV 4500 A Transformer Bushing



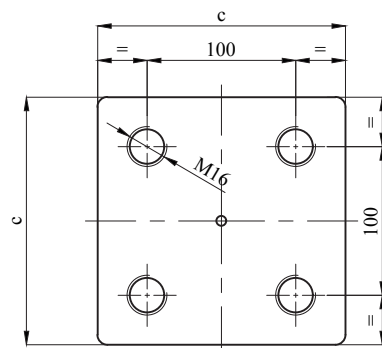
Insulation Levels acc. to IEC 60137:2017

1	Highest Voltage (kV)	3,6
2	Rated Current (A)	4500
3	Lightning Impulse Withstand Voltage (BIL) (kV)	40
4	Power Frequency Withstand Voltage (kV)	dry 11 wet 10
5	Creepage Distance (mm)	130
6	Rated Thermal Short-time Current (2s) (kA)	70,71
7	Rated Dynamic Current (kA)	250
8	Minimum Cantilever Withstand Load (N)	3150

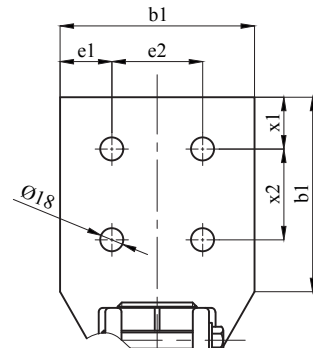
18	2	Washer DIN 125
17	2	Screw DIN 933
16	1	Brass Closing Piece
13	1	Brass Nut
10	2	Internal Gasket "X"
9	1	Flange Gasket "N"
8	1	Plain Gasket "M"
7	1	Ring Gasket "J"
6	1	Brass Flag
5	1	Brass Washer "G"
4	1	Brass Washer "E"
3	1	Copper Stem
2	1	Bottom Porcelain "B"
1	1	Top Porcelain "A"
POS.	PCS.	DESCRIPTION



SECTION A-A



"X" VIEW



"Y" VIEW

***All dimensions are "mm"

Type	a	b	c	d	y	d1	d2	d3	d4	d5	p	t	b1	e1	e2	x1	x2	Weight (-kg)
3/4500A	300	110	160	560	30	M55x3	105	119	160	171	20	55	150	40	70	40	70	32