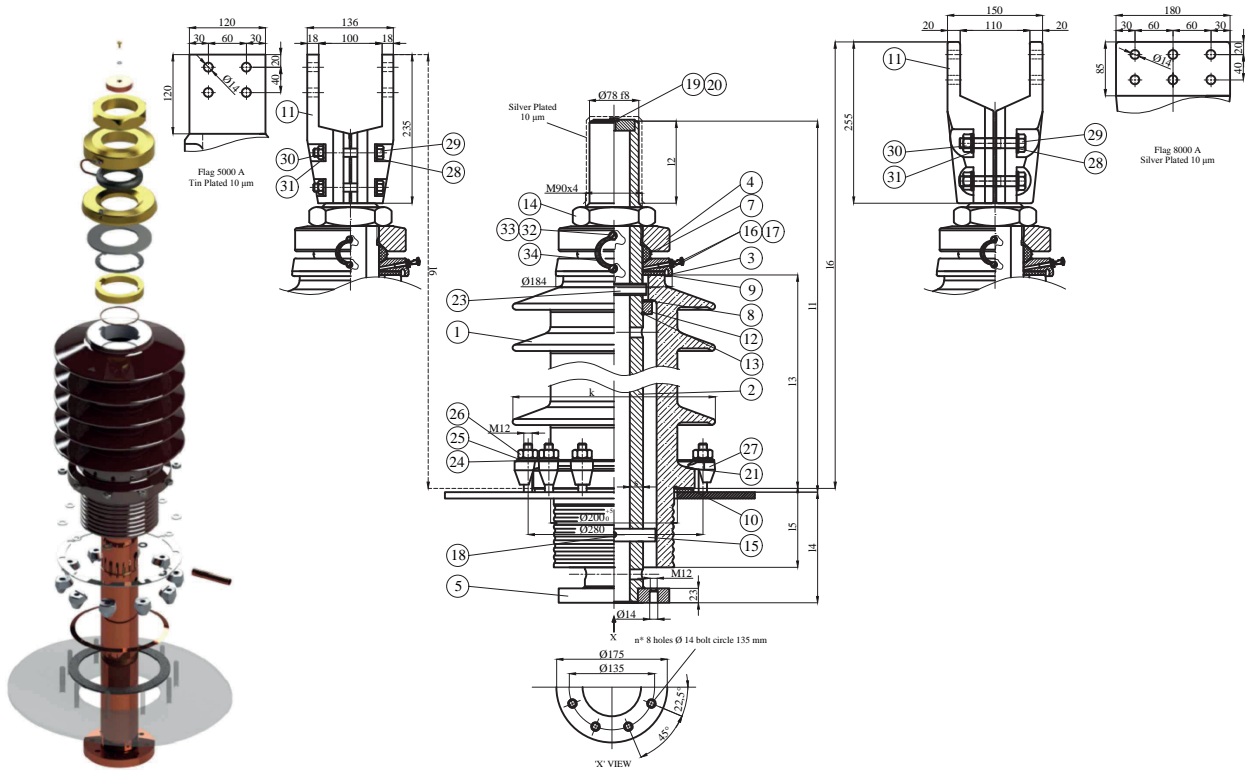


24 kV 5000 A - 8000 A
EN 50243 Transformer Bushings



Insulation Levels acc. to IEC 60137:2017		
1	Highest Voltage (kV)	24
2	Rated Current (A)	5000 A / 8000A
3	Lightning Impulse Withstand Voltage (BIL) (kV)	125
4	Power Frequency Withstand Voltage (kV)	dry 55 wet 50
6	Rated Thermal Short-time Current (2s) (kA)	70,71
7	Rated Dynamic Current (kA)	250
8	Minimum Cantilever Withstand Load (N)	3150

***All dimensions are "mm"
n° 10 fixing studs steel M12x75 (not supplied with the kit) Bolt circle 280 mm

Type / Creepage Distance [mm]	Voltage kV	Current A	I1	I2 min	I3	I4 max	I5 max	I6	s	k
24 - 5 / P2 / 480	24	5000	540	100	320	150	100	678	16	285
24 - 8 / P2 / 480		8000	570	130				698	21	285
24 - 5 / P4 / 744		5000	635	100	415	175	125	770	16	320
24 - 8 / P4 / 744		8000	665	130				800	21	320

