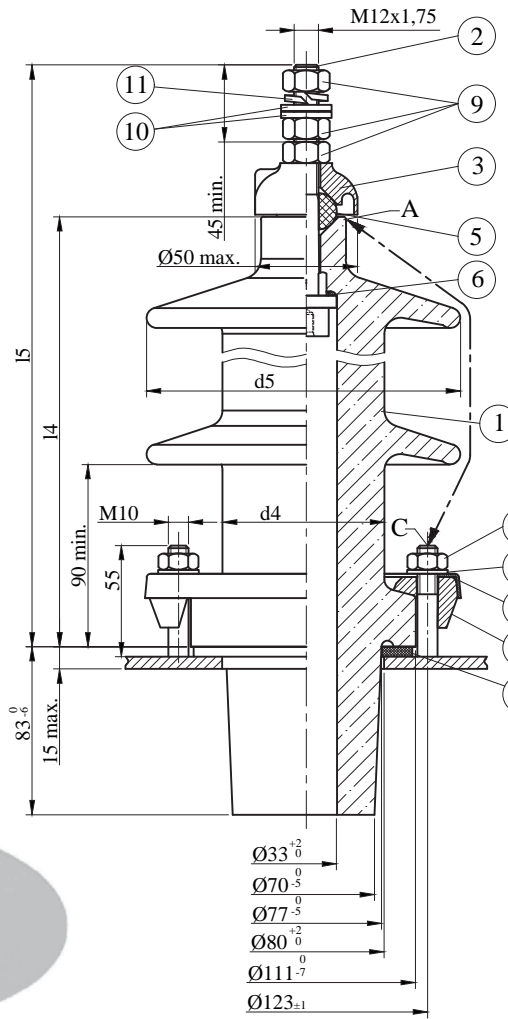


24 kV 250 A  
EN 50180 Transformer Bushings



Insulation Levels acc. to IEC 60137:2017		
1	Highest Voltage (kV)	24
2	Rated Current (A)	250
3	Lightning Impulse Withstand Voltage (BIL) (kV)	125
4	Power Frequency Withstand Voltage (kV)	dry 55 wet 50
6	Rated Thermal Short-time Current (2s) (kA)	4,42
7	Rated Dynamic Current (kA)	15,63
8	Minimum Cantilever Withstand Load (N)	1000

\*\*\*All dimensions are "mm"  
n\* 4 fixing studs steel M10x55 (not supplied with the kit) Bolt circle 123 mm

Type / Creepage Distance [mm]	Arcing Distance AC [mm]	l4 max	l5 max	d4 max	d5 max
24 - 250 / P2 (Type 2) / 490	260	304	384	80	150
24 - 250 / P3 (Type 3) / 605	315	357	437	80	155
24 - 250 / P4 (Type 4) / 935	465	516	596	80	155

15	4	Alu-Clamping	"E" DIN 42538		
14	1	Fixing Ring	"A" DIN 42538		
13	4	Nuts	M10 DIN 934		
12	4	Washer	10,5 DIN 125		
11	1	Spring Washer	DIN 127		
10	2	Brass Washer	DIN 125-Ms		
9	3	Brass Nuts	M12 DIN 934-Ms		
7	1	Flange Gasket	"N" DIN 42531		
6	1	Internal Gasket	"O" DIN 42531		
5	1	Sealing Ring Gasket	"J" DIN 42531		
3	1	Brass Cap	"E" DIN 42531		
2	1	Brass Bolt	"D" DIN 42531		
1	-	-	1	Porcelain	24 - 250 / P4
	-	1	-		24 - 250 / P3
	1	-	-		24 - 250 / P2
POS.	Type 2	Type 3	Type 4	NAME OF THE MATERIAL	DESCRIPTION







